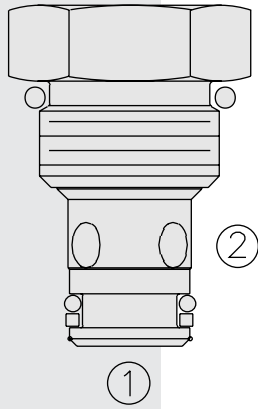


FC08-20F Flow Control, Orifice Check



DESCRIPTION

A screw-in, cartridge-style, restrictor check valve.

OPERATION

The **FC08-20F** acts as a restrictor in the ② to ① direction. As a check valve it provides free flow from ① to ②.

FEATURES

- Hardened spool and cage for long life.
- Industry-common cavity.

RATINGS

Operating Pressure: 240 bar (3500 psi)

Flow: See Performance Chart

Temperature: -40 to 120°C with Buna N seals

Filtration: See page 9.010.1

Fluids: Mineral-based or synthetics with lubricating properties at viscosities of 7.4 to 420 cSt (50 to 2000 sus); See Temperature and Oil Viscosity, page 9.060.1

Installation: No restrictions; See page 9.020.1

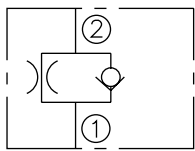
Cavity: VC08-2; See page 9.108.1

Cavity Tool: CT08-2XX; See page 8.600.1

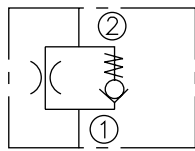
Seal Kit: SK08-2X-T; See page 8.650.1

SYMBOLS

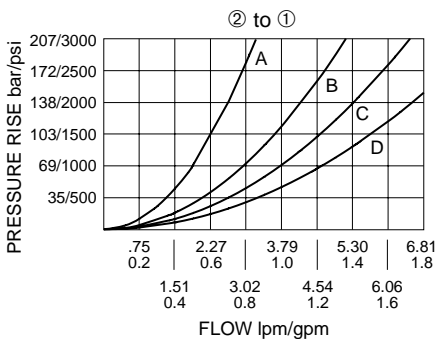
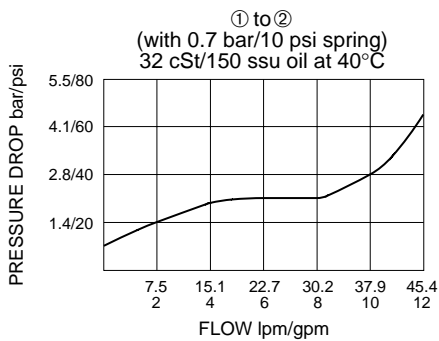
USASI:



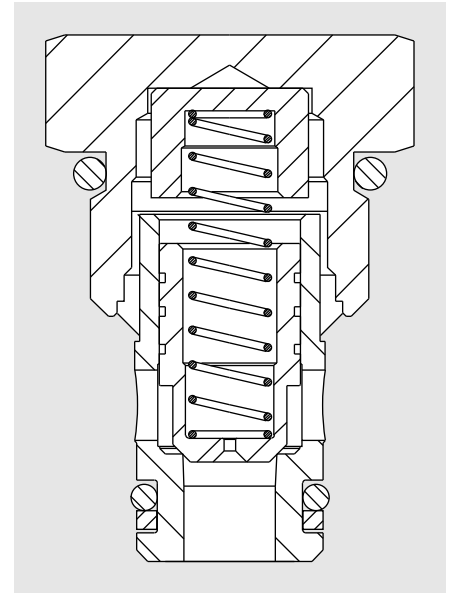
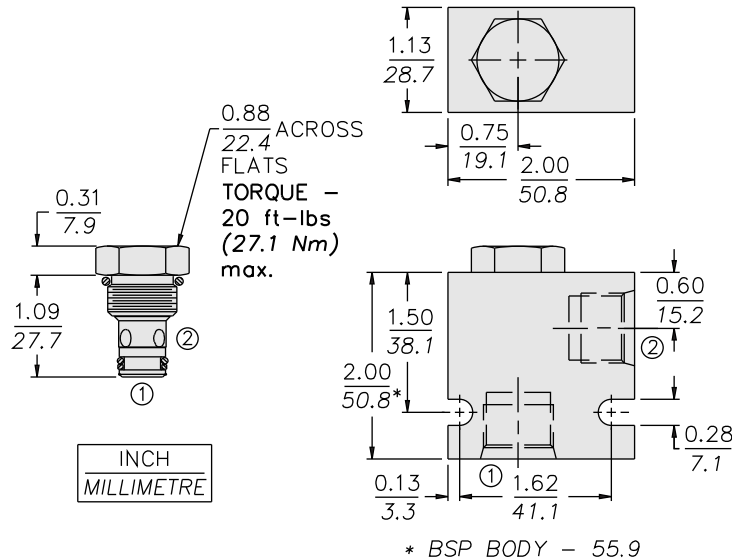
ISO:



PERFORMANCE (Cartridge Only)



DIMENSIONS



MATERIALS

Cartridge: Weight: 0.10 kg. (0.23 lbs.)
 Steel with hardened work surfaces.
 Zinc-plated exposed surfaces.
 Buna N O-rings and polyester elastomer back-up standard.

Standard Ported Body: Weight:
 0.16 kg. (0.35 lbs.) Anodized high-strength 6061 T6 aluminum alloy, rated to 207 bar (3000 psi). Ductile iron bodies available; dimensions may differ. See page 8.008.1

TO ORDER

FC08-20F -

Porting
 Cartridge Only **0**
 SAE 4 **4T**
 SAE 6 **6T**
 1/4 in. BSP* **2B**
 3/8 in. BSP* **3B**
 1/2 in. BSP* **4B**
 *BSP Body; U.K. Mfr. Only

Bias Spring
10 0.7 bar (10 psi) Std.
 Optional Bias Springs considered on OEM request.

Equivalent Orifice Size

- A** .030 in.
- B** .033 in.
- C** .038 in.
- D** .042 in.
- E** .053 in.
- F** .056 in.
- G** .047 in.
- H** .028 in.

Seals

- N** Buna N (Std.)
- V** Fluorocarbon